

GENERAL NOTES

- WORK PERFORMED SHALL COMPLY WITH THE FOLLOWING:
 - THE VIRGINIA UNIFORM STATEWIDE BUILDING CODE (VUBC), 2018 EDITION
 - THE INTERNATIONAL BUILDING CODE (IBC), 2018 EDITION AS AMENDED BY THE VUBC.
 - ALL APPLICABLE STATE AND LOCAL CODES, ORDINANCES AND REGULATIONS.

- DESIGN LOADS:

A. BUILDING RISK CATEGORY	II
B. GROUND SNOW P _g	15 PSF
C. ULTIMATE DESIGN WIND SPEED	115 MPH

- LIVE LOADS:

	UNIFORM
ROOF	20 PSF
ATTIC	20 PSF
ASSEMBLY	100 PSF

- THE CONTRACTOR SHALL VERIFY DIMENSIONS IN FIELD PRIOR TO FABRICATION OF MEMBERS AND COMMENCING WORK.
- THE CONTRACTOR SHALL PROTECT EXISTING STRUCTURES, EQUIPMENT, ADJACENT GROUNDS AND PLANTS DURING ALL PHASES OF CONSTRUCTION. THE CONTRACTOR SHALL REPAIR AND/OR REPLACE, AT NO ADDITIONAL COSTS TO THE OWNER, ANY ITEMS DAMAGED DURING THE CONSTRUCTION.
- CONTRACTOR SHALL VERIFY THAT EXISTING CONSTRUCTION CORRESPONDS TO THAT SHOWN ON THE DRAWINGS. DISCREPANCIES SHALL BE IMMEDIATELY BROUGHT TO THE ATTENTION OF THE ENGINEER.
- THE CONTRACTOR SHALL VERIFY DIMENSIONS AND ELEVATIONS IN THE FIELD PRIOR TO FABRICATION OF MEMBERS AND COMMENCING WORK.

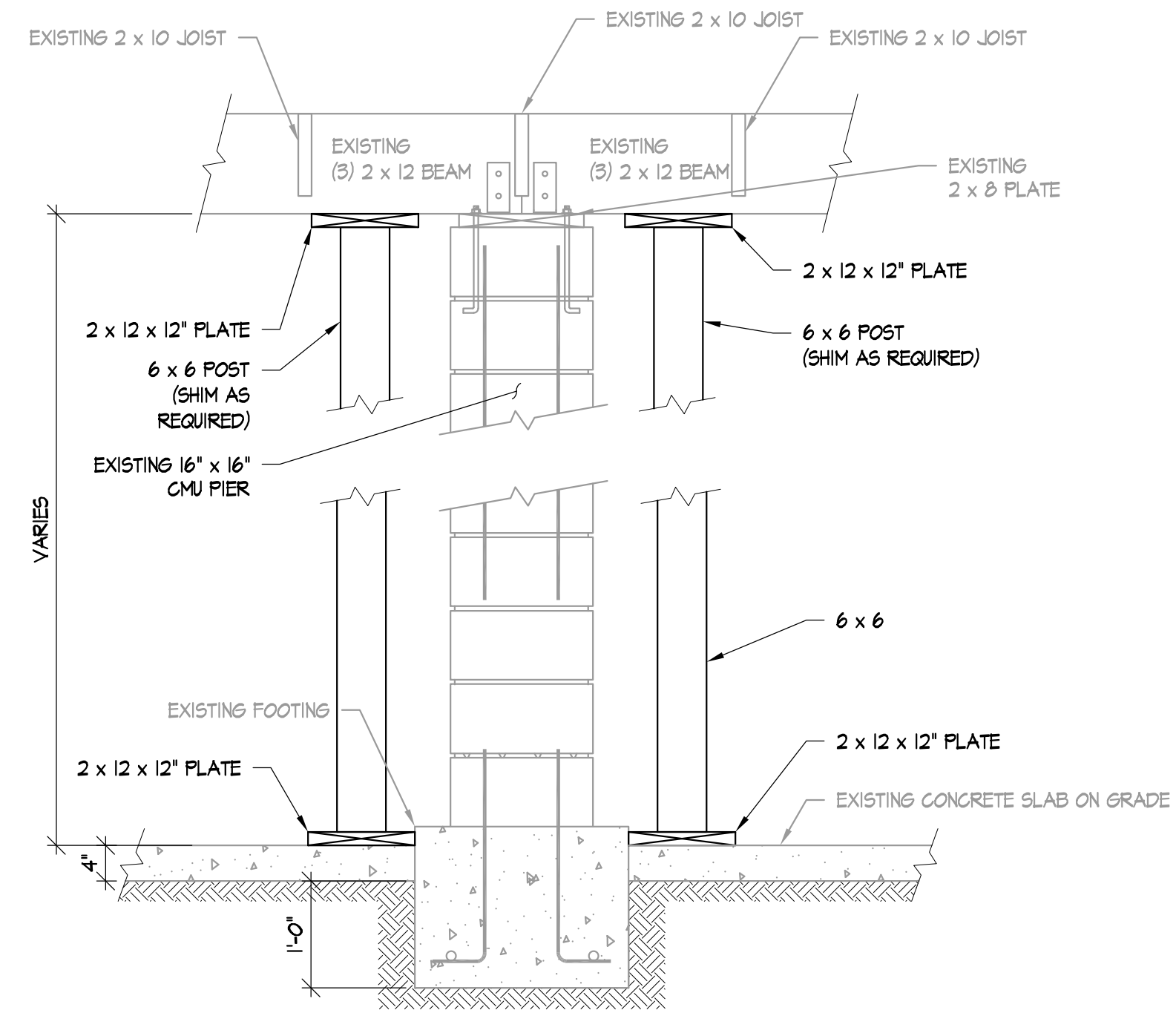
WOOD:

- WOOD SHORING IS BASED ON DESIGN VALUE NOTED IN THE NATIONAL DESIGN SPECIFICATION FOR WOOD CONSTRUCTION, 2015 EDITION.
- ALL TEMPORARY SHORING MATERIAL SHALL BE TREATED NO.2 SOUTHERN YELLOW PINE (KILN DRIED), SURFACED WITH A MAXIMUM 18% MOISTURE CONTENT, WITH THE FOLLOWING MINIMUM NON-FACTORED ALLOWABLE STRESS.

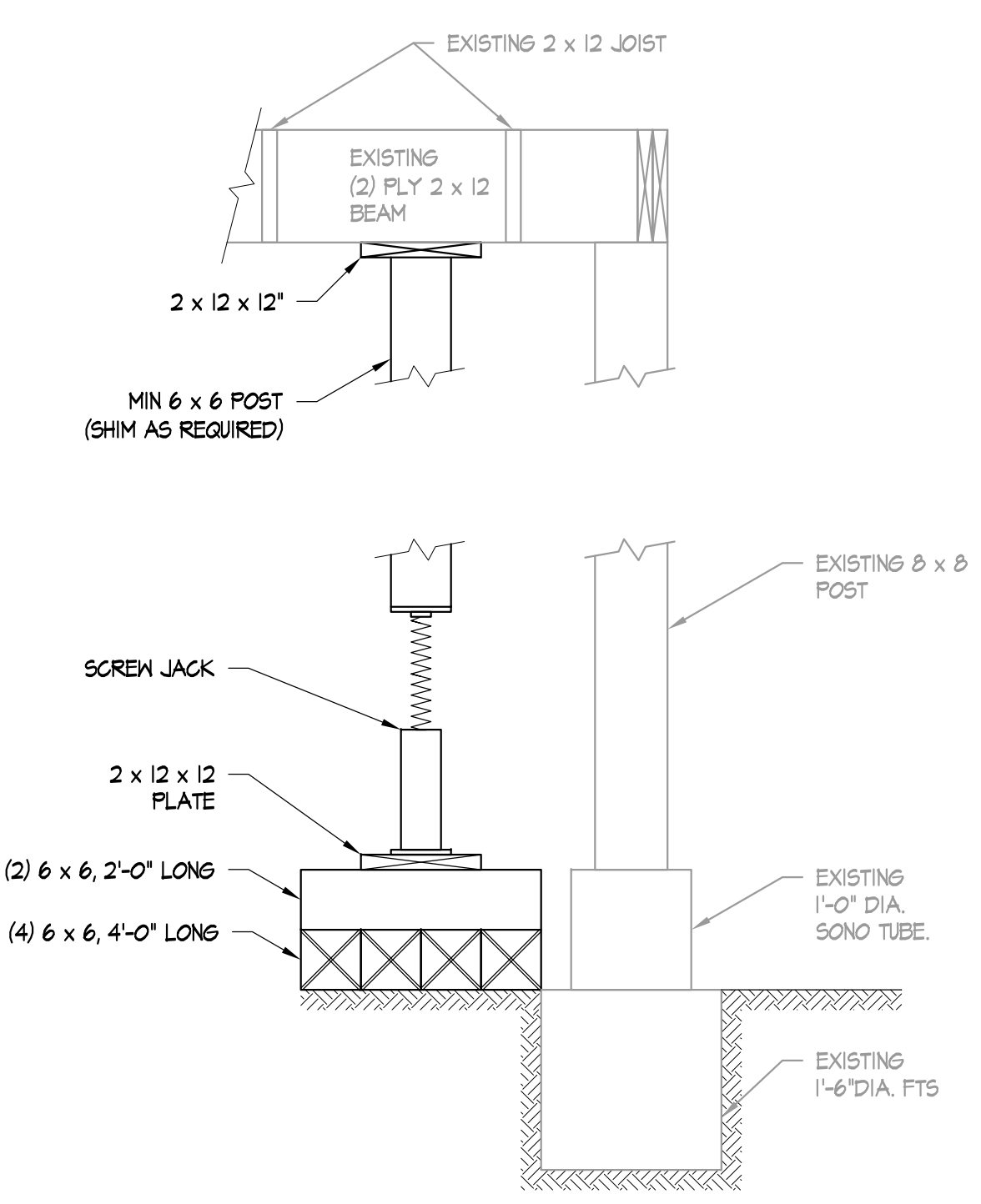
A. EXTREME FIBER STRESS	F _b =	2 x 12	6 x 6
B. HORIZONTAL SHEAR STRESS	F _v =	750 PSI	850 PSI
C. COMP. PERP. TO GRAIN	F _{c⊥} =	175 PSI	165 PSI
D. COMP. PARALLEL TO GRAIN	F _c =	565 PSI	375 PSI
E. MODULES OF ELASTICITY	E =	1,250,000 PSI	1,200,000 PSI

- FASTENERS FOR PRESERVATIVE-TREATED WOOD SHALL BE OF HOT-DIPPED ZINC COATED GALVANIZED STEEL WITH A G-185 COATING, STAINLESS STEEL, SILICON BRONZE, OR COPPER.

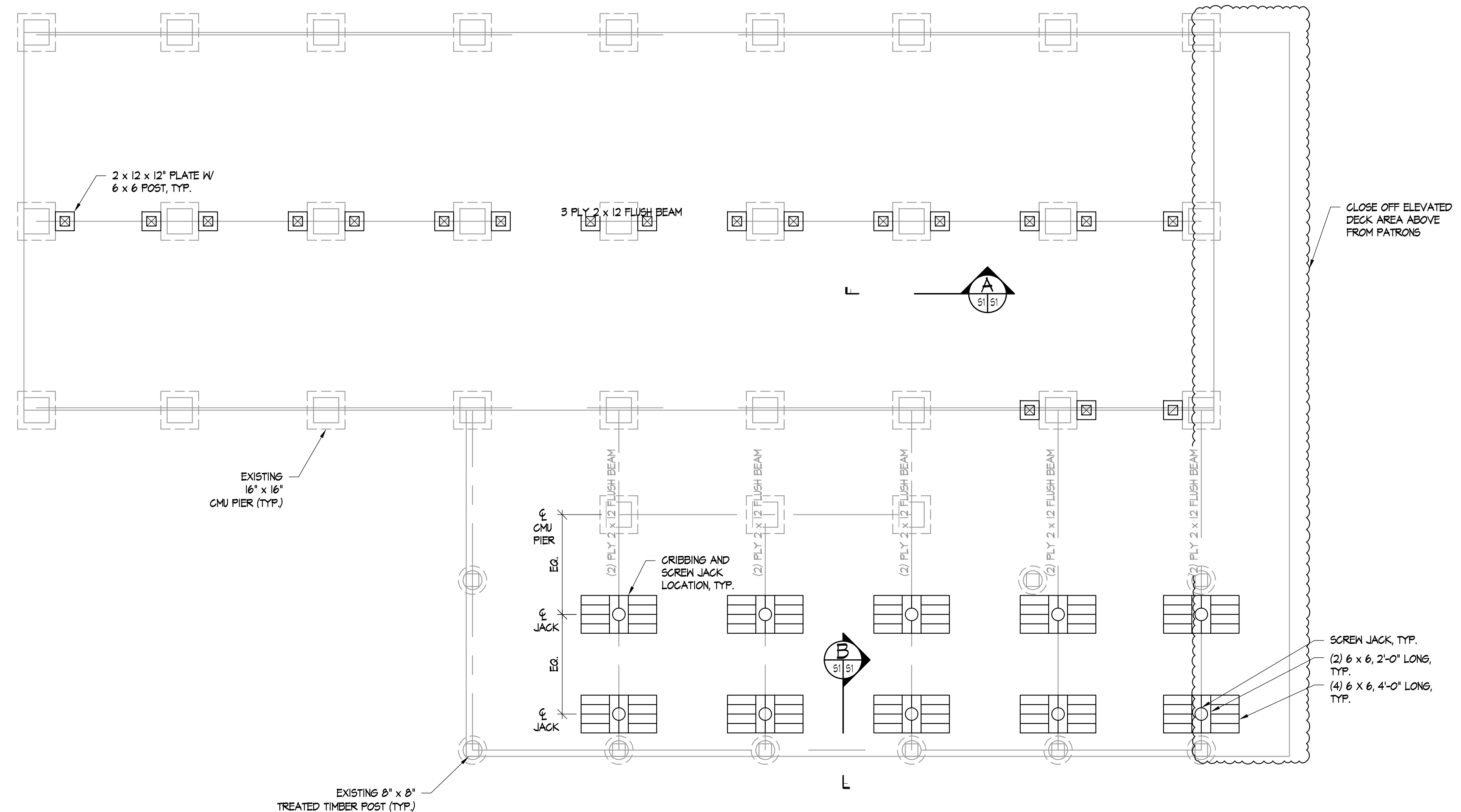
LEGEND	
MARK	DESCRIPTION
	6 x 6 WOOD POST
	6 x 6 CRIBBING
	2 x PLATE



SECTION SHORING A
SCALE: 3/4" = 1'-0"



SECTION CRIBBING AND SCREW JACK B
SCALE: 3/4" = 1'-0"



TEMPORARY SHORING PLAN

SCALE: 1/4" = 1'-0"

RESTAURANT & ELEVATED PATIO DECK

Project #: VA22105FOR Date: 5/21/22	Drawn by: JBA Reviewed by: MAM		Date Revisions No.	TEMPORARY SHORING FOR HOLE IN THE WALL RESTAURANT 384 OLD FERRY ROAD MATHENS COUNTY VIRGINIA